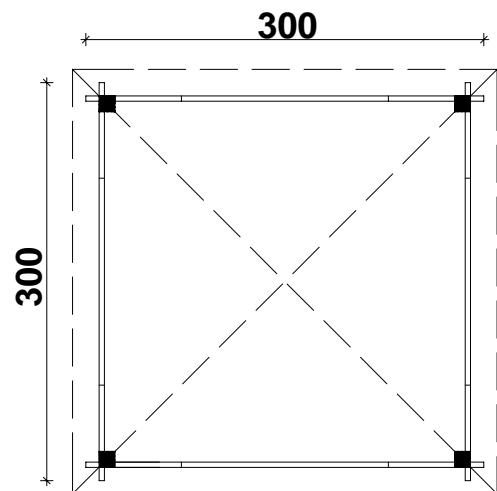


# Techn. Data: Cabrera

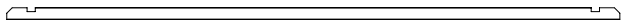
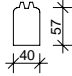
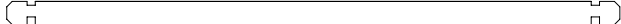
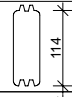
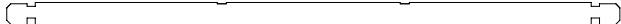

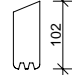

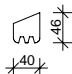

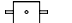



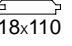
Log length (W x D): 300 x 300 cm

Wall size(outside): 280 x 280 cm - Log thickness: 40 mm



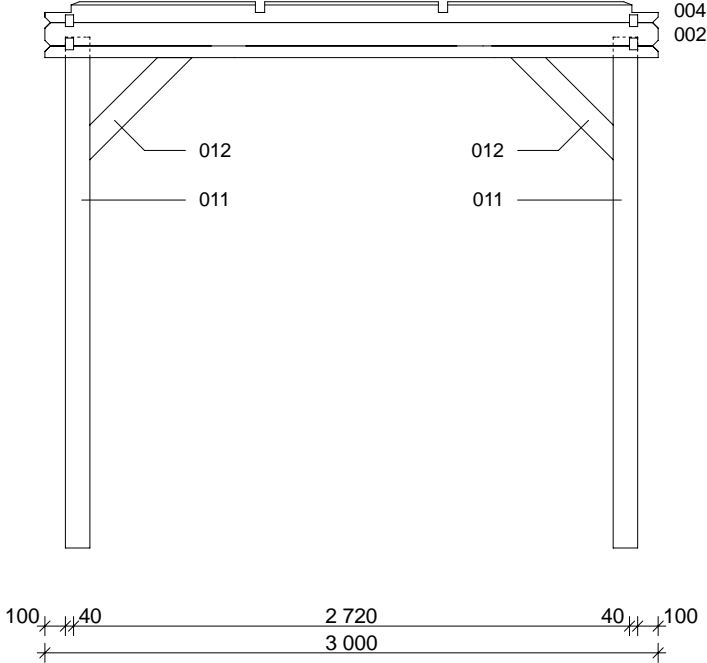
Note: All dimensions are approximate !

# Specification - Cabrera

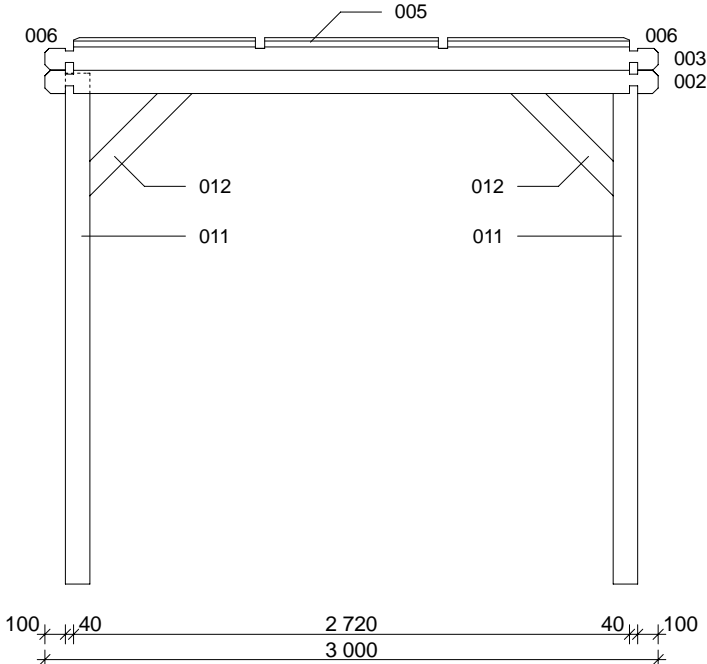
Nr	Description	Profile mm	Length mm	Quantity
1			3000	2
2			3000	4
3			3000	2
4			3000	2
5			850	2
6			899	4(2+2)
7	Rafter	45x70	2318	4
8	Rafter	45x60	1233	8(4+4)
9	Central fixing block			1
10	Eavesboard	18x90	3250	4
11	Post 	120x120	2500	4
12	Strut 	40x120	707	8
13	Roof board 		3142	4
14			2938	4
15			2735	4
16			2532	4
17			2329	4
18			2125	4
19			1922	4
20			1718	4
21			1515	4
22			1312	4
23			1109	4
24			905	4
25			702	4
26			498	4
27			295	4
28			92	4
29	Screws 5,0 x 70; 5,0 x 100; 6,0 x 140			80 / 14 / 24
30	Screws 4,0 x 40; 4,0 x 50			40 / 380
31	Hat			1

# Wallplan + Roof - Cabrera

## Wall A, C



## Wall B, D



# Wallplan + Roof - Cabrera

## Wallplan

